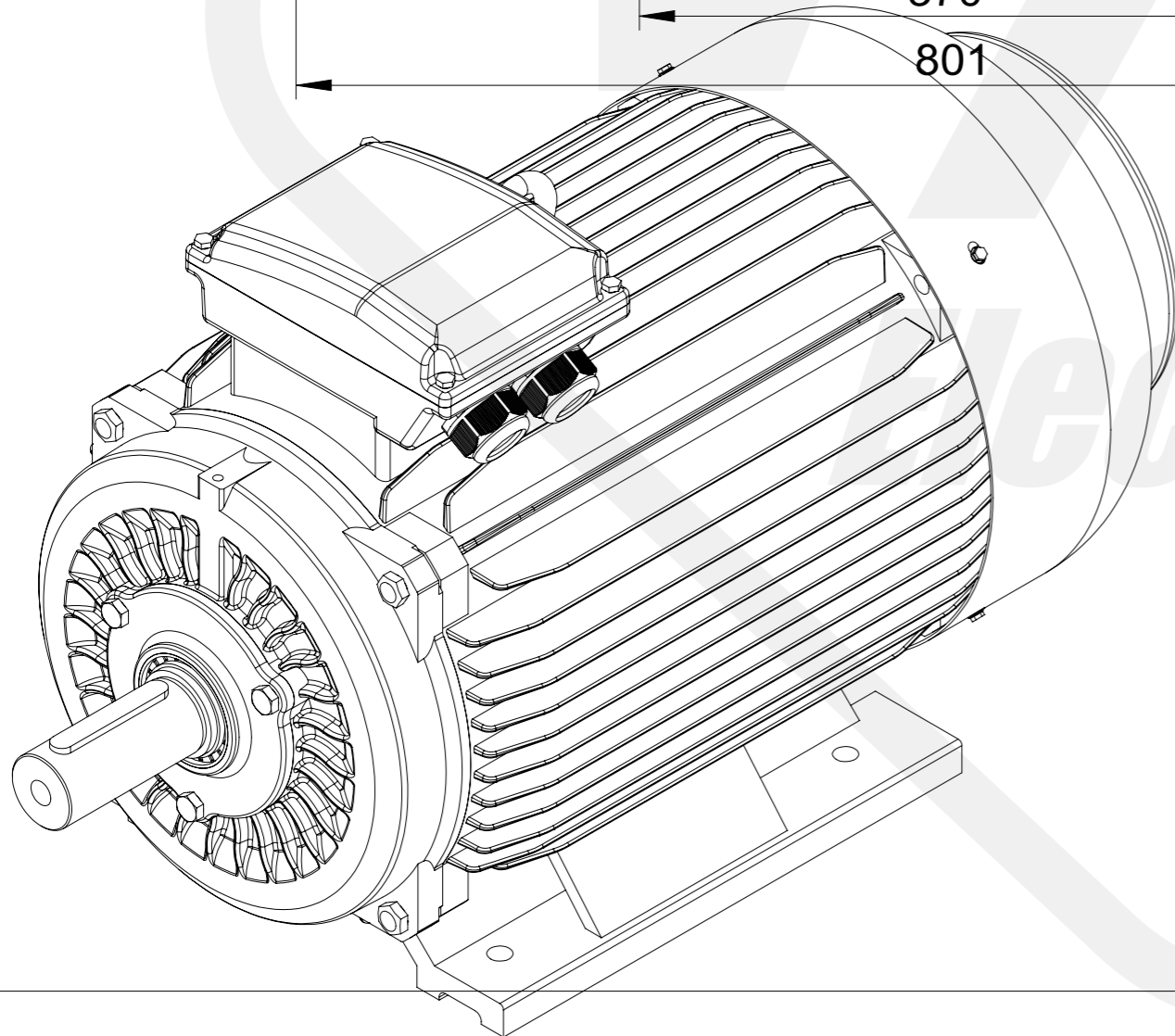
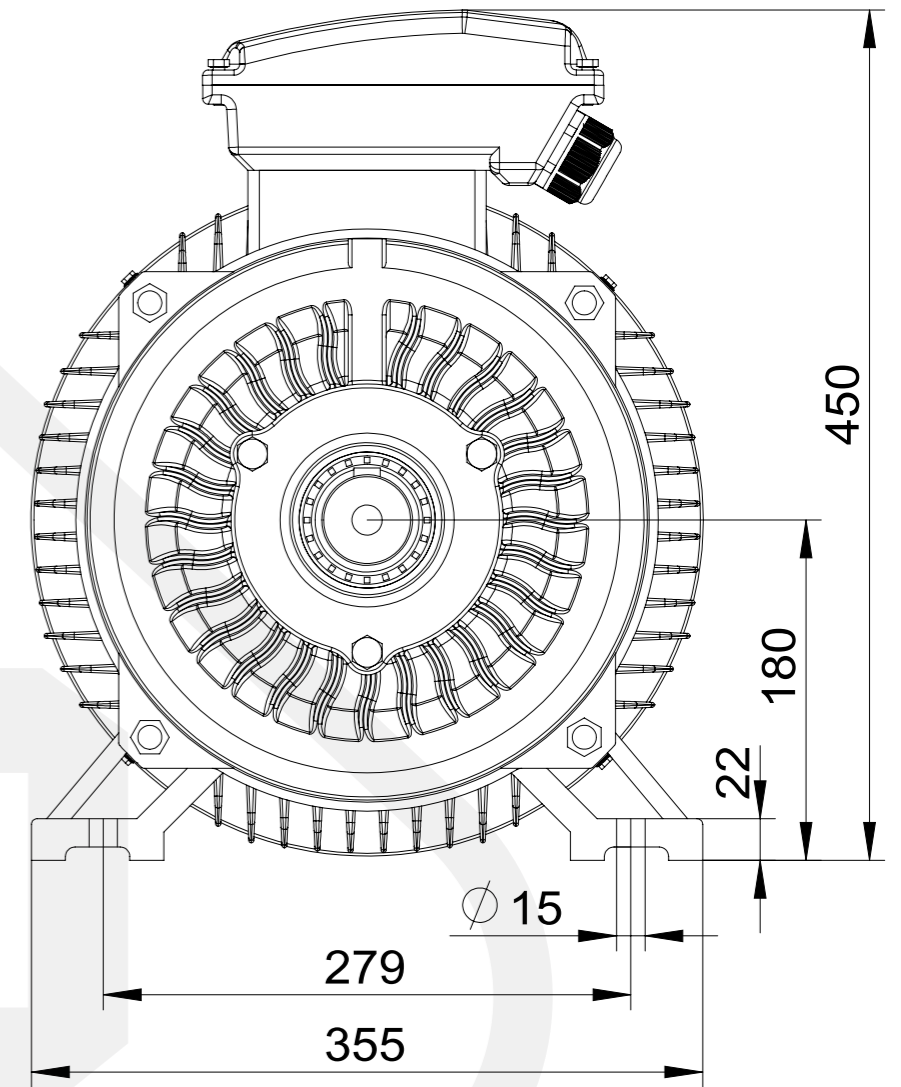
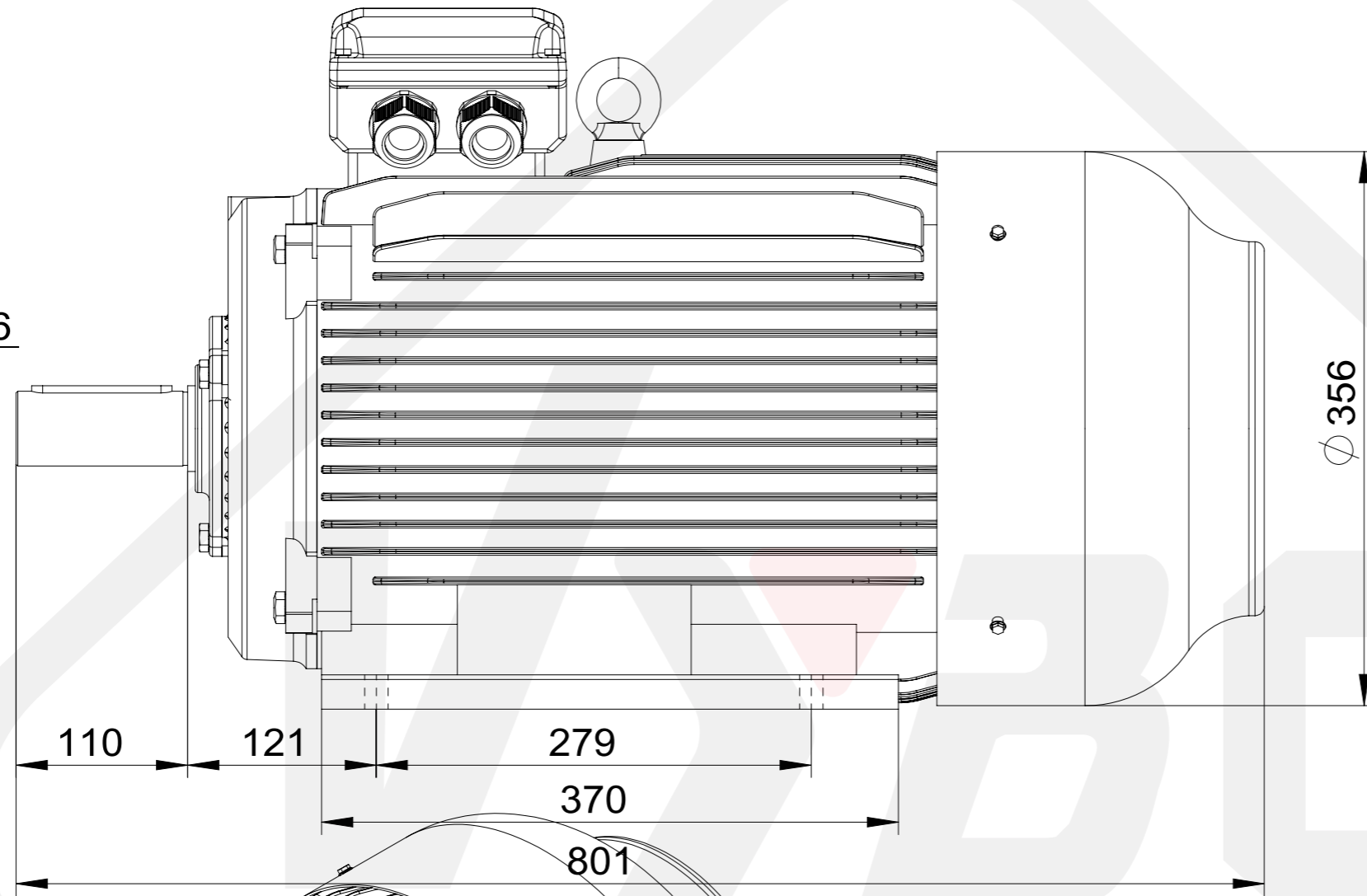
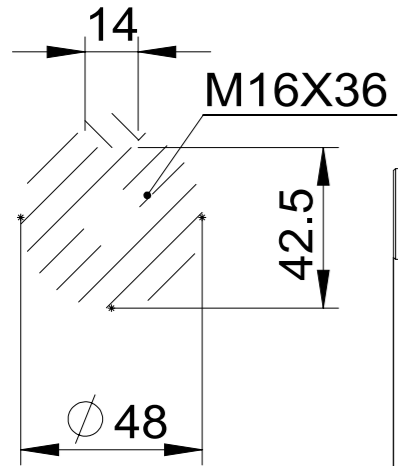




A-A  
1 : 2



**4LC-180L-B3**  
**Mounting diagram**