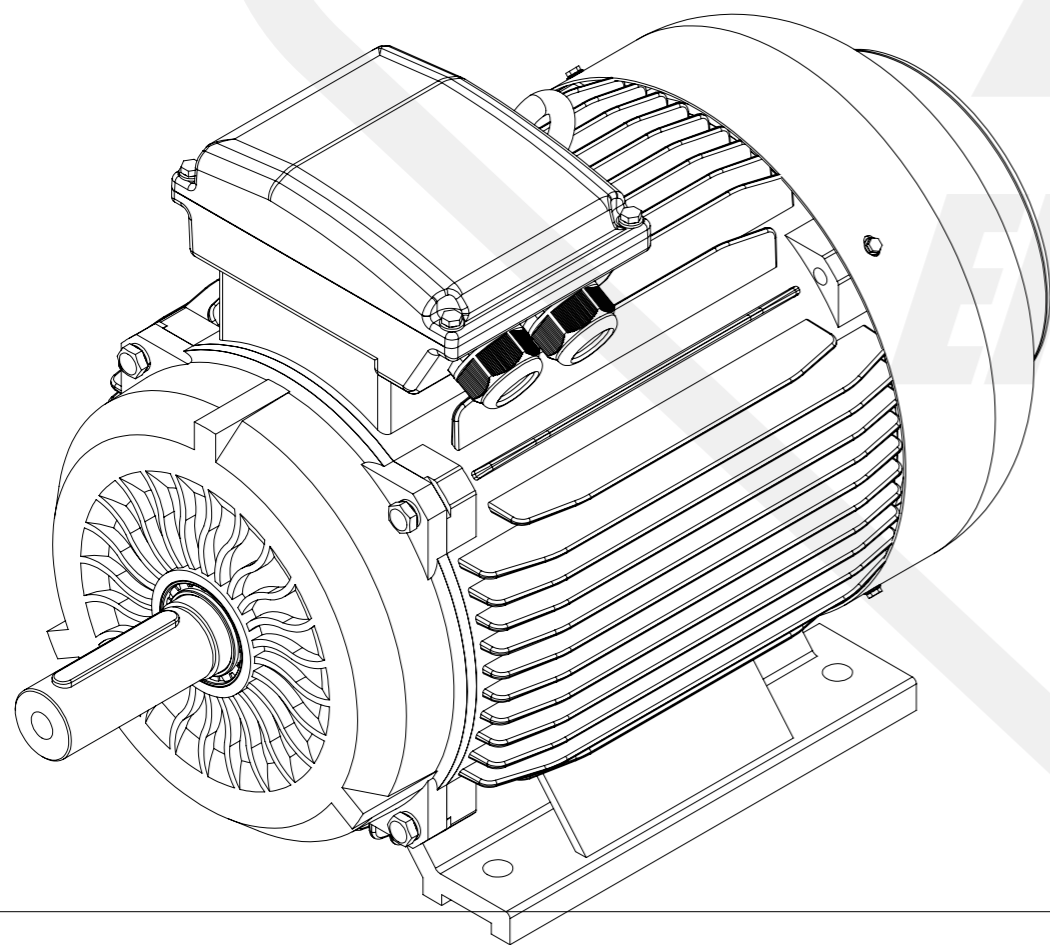
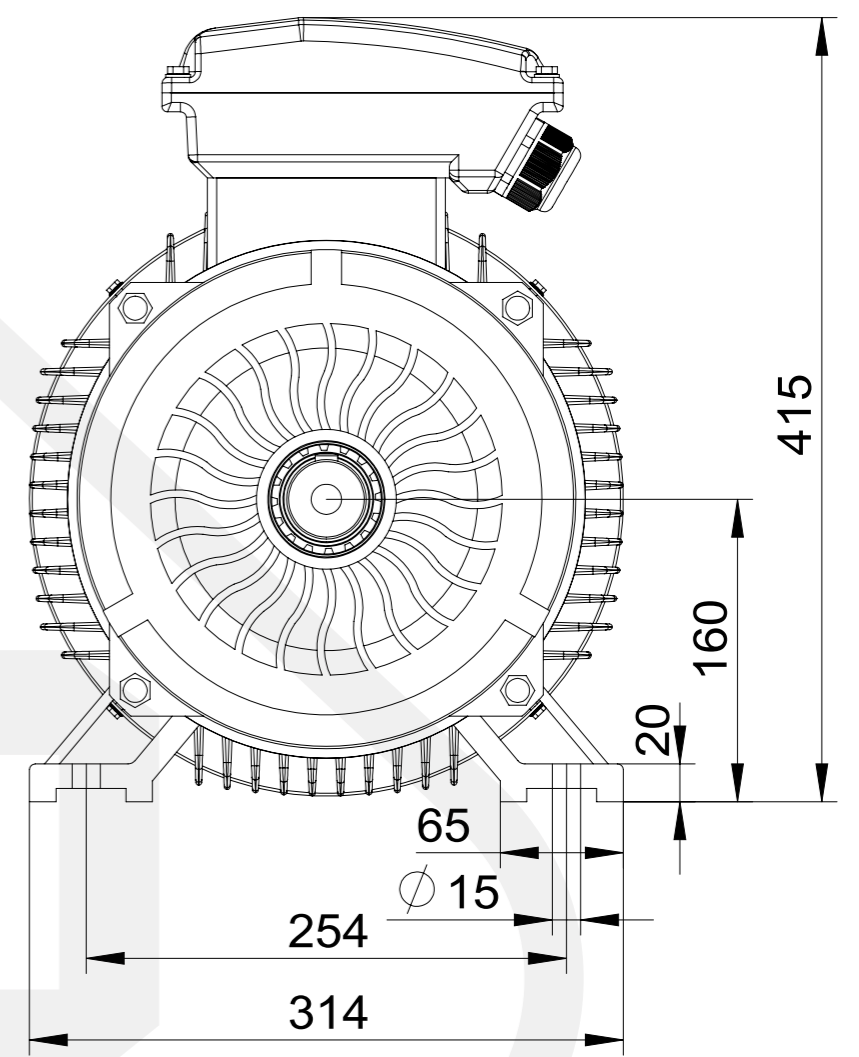
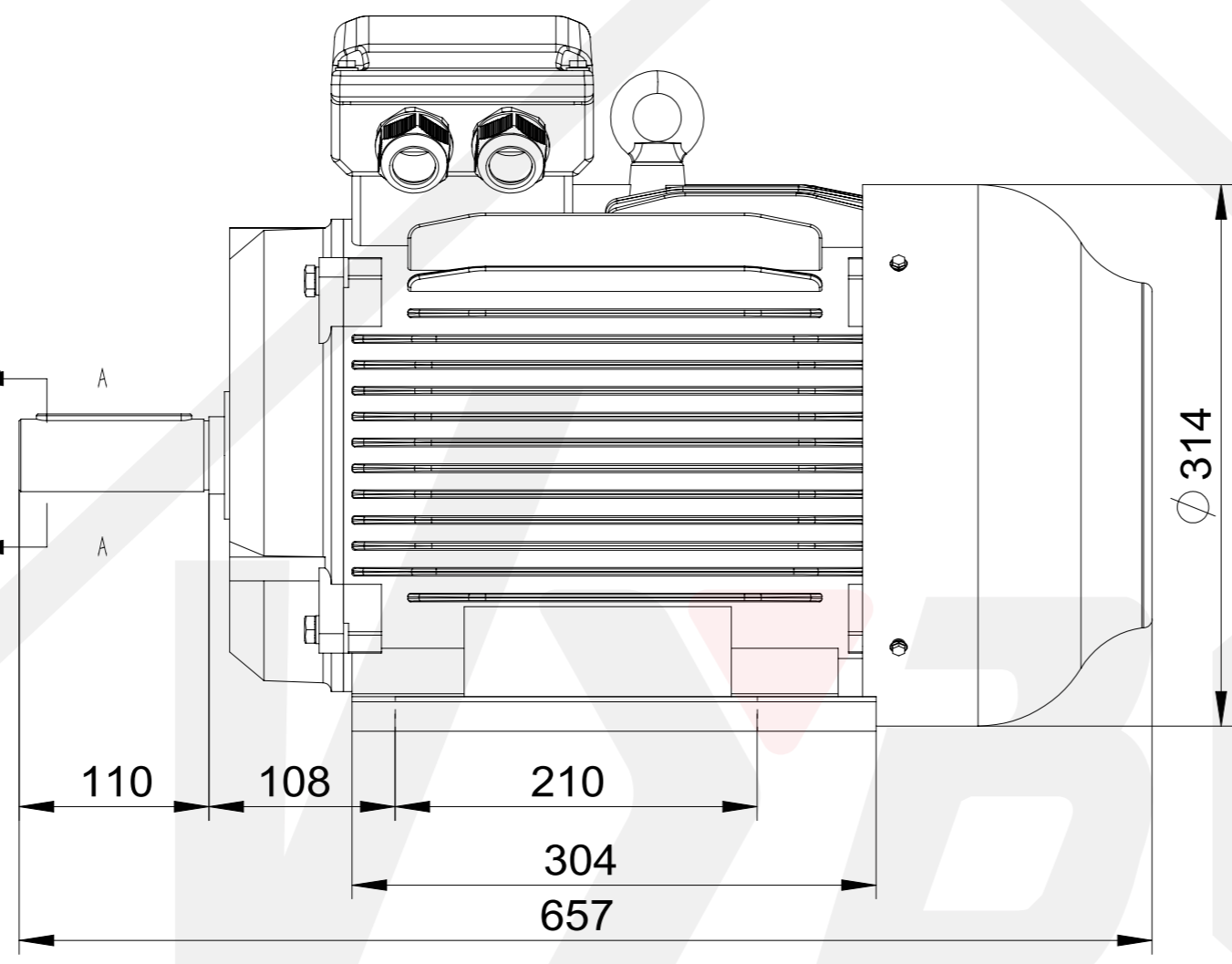
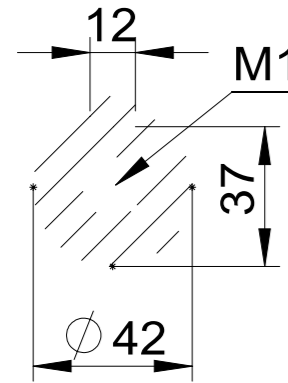




A-A  
1:2



**Electric** s.r.o.

**4LC-160M-B3**  
**Mounting diagram**